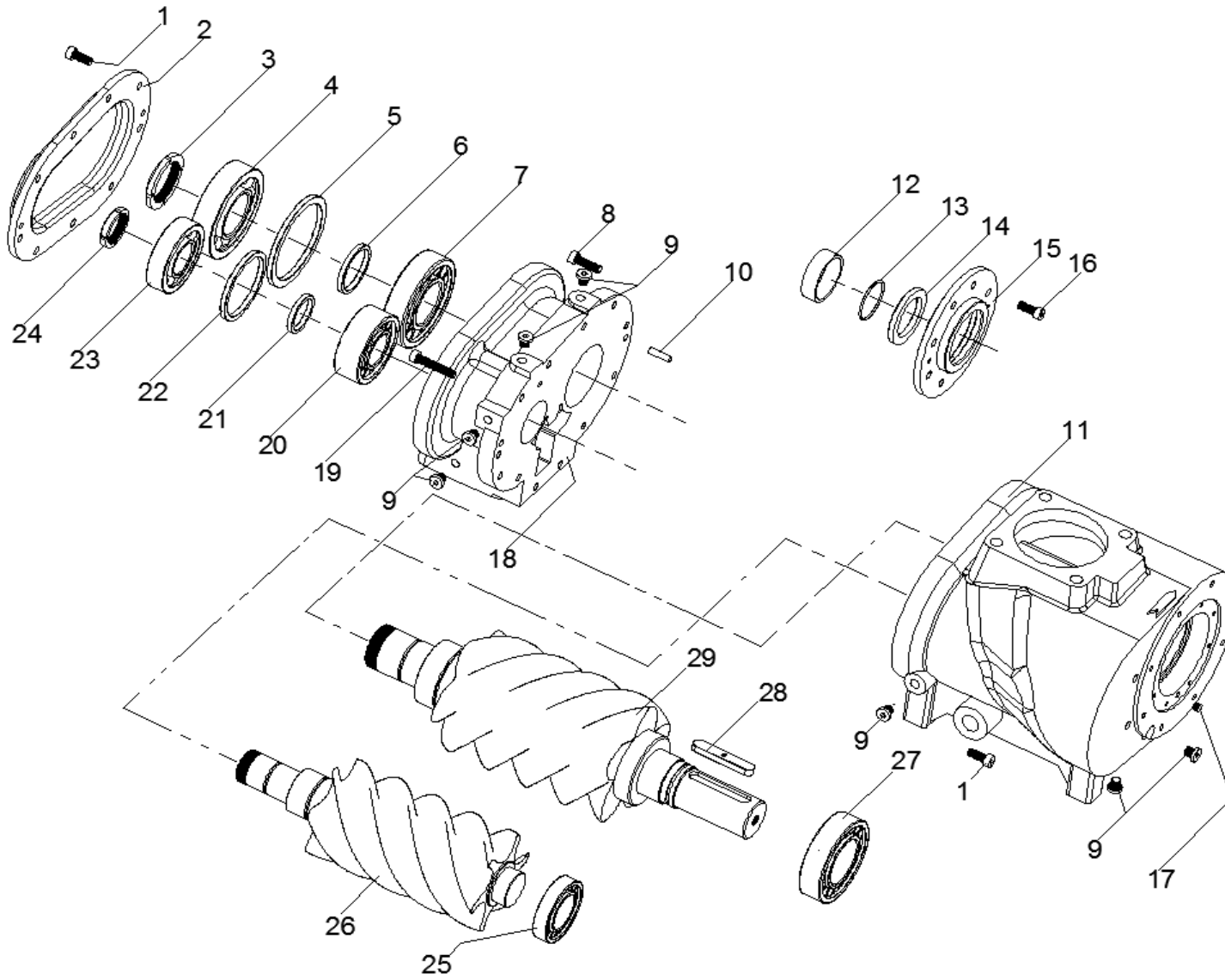


AB-480R Construction BOM





AB-480R Construction BOM

Item	Number	Description	Quantity	Item	Number	Description	Quantity
1	4301-110025-C	Bolt	11	16	4301-106020-C	Bolt	6
2	35337-1101AA	Discharge Cover Plate	1	17	4305-107	Plug	4
3	4302-260	KM Nut	1	18	35337-1131AB	Bearing Seat	1
4	4101-7312BUO	Bearing	1	19	4301-110055-C	Bolt	3
5	35312-113DAB	Spacer Ring	1	20	4102-NU2309E	Bearing	1
6	35312-1134AB	Spacer Ring	1	21	3105-1137B	Spacer Ring	1
7	4102-NU312E	Bearing	1	22	3105-113AA	Spacer Ring	1
8	4301-110035-C	Bolt	7	23	4101-7309BUO	Bearing	1
9	4305-924	Plug	6	24	4302-245	KM Nut	1
10	35302-1102AB	Parallel Pin	2	25	4102-NJ210E	Bearing	1
11	35312-1141AF	Housing	1	26	35336-1133A	Female Rotor	1
12	4807-03	Bush	1	27	4102-NJ313E	Bearing	1
13	4201-VG055	O-Ring	1	28	3504-1164A	Parallel Key	1
14	4203-068090RL	Shaft Seal	1	29	35336-1132AA	Male Rotor	1
15	3512-1161A	Seal Cover	1				